

805U-E

Installation Guide

WARNING !

EXPLOSION HAZARD

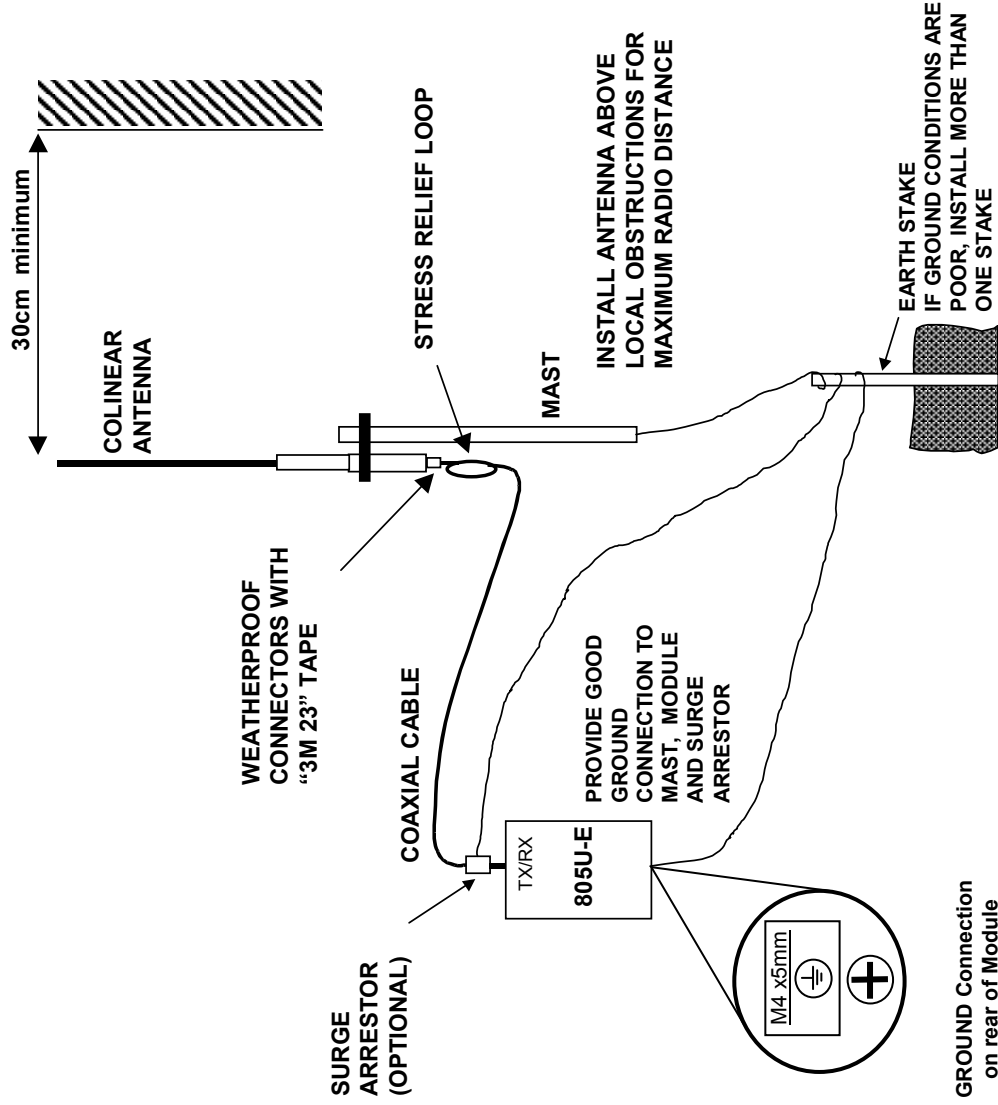
DO NOT DISCONNECT WHILE CIRCUIT IS LIVE UNLESS AREA IS KNOWN TO BE NON HAZARDOUS

Statutory Requirements

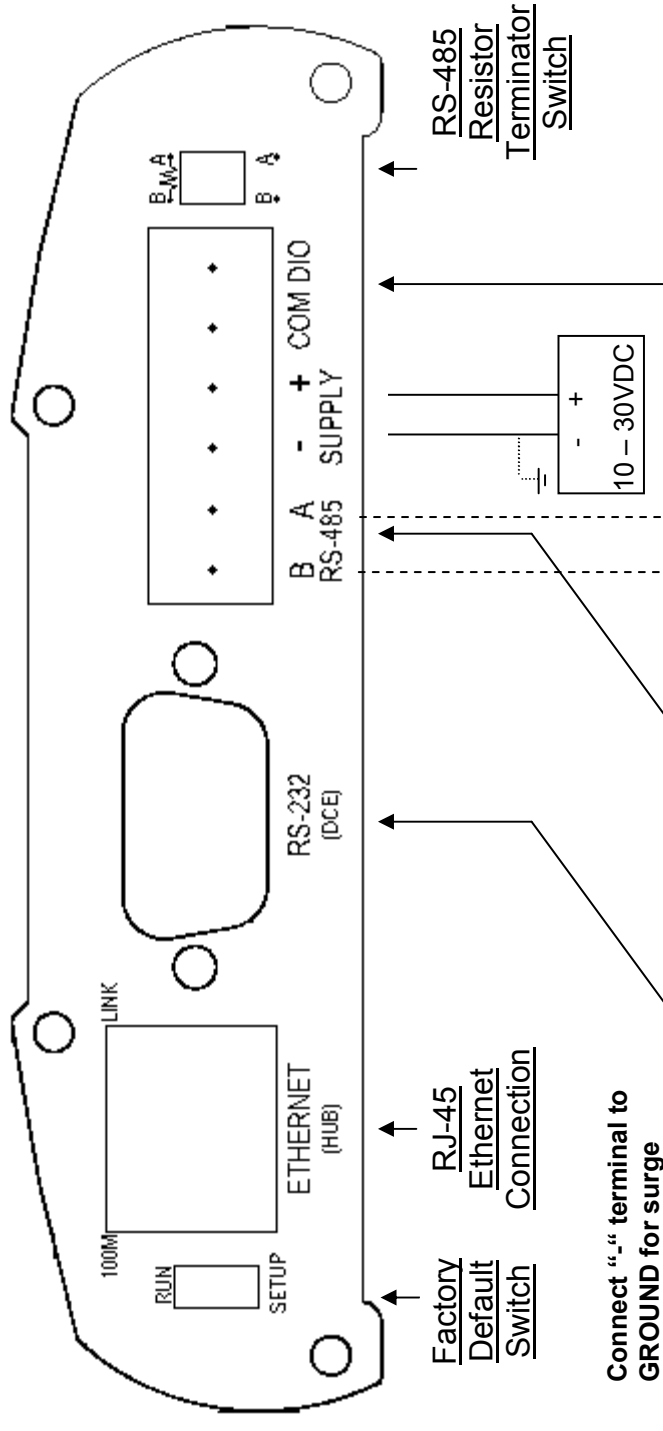
Unlicensed operation limits the radio power. High gain aerials may only be used to compensate for cable losses.

Systems should be designed for a duty factor of less than 10% to comply with licence-free regulations.

Antenna Installation

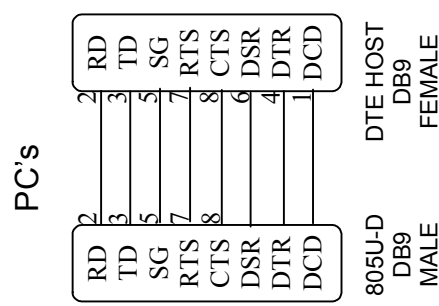


805U-E Wiring

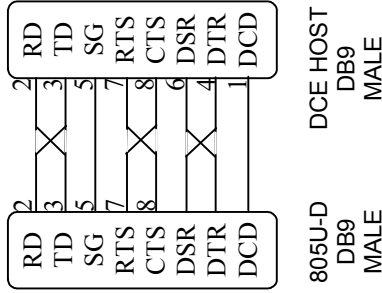


Connect "-" terminal to GROUND for surge

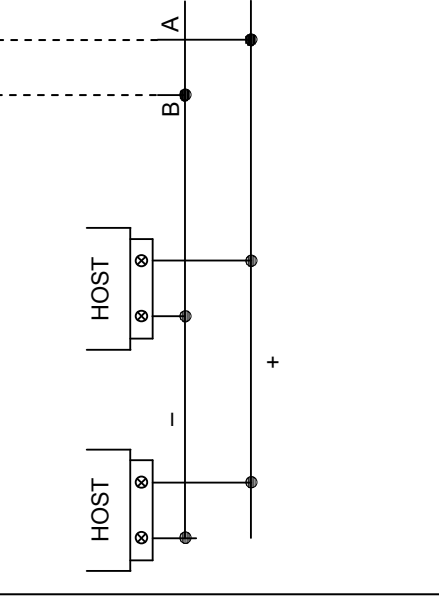
RS232 Connections



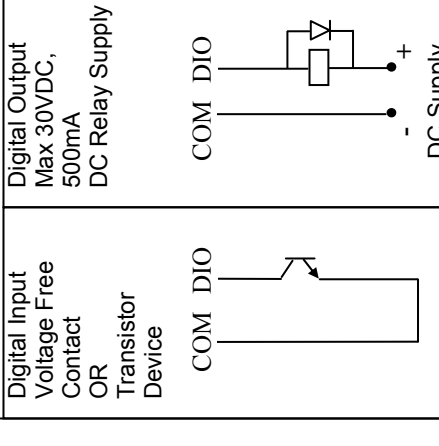
PLC's, Dataloggers



RS485 Connection



Digital Input/ Output



NOTE:

1. All connections to be SELV
2. DIO channels can be wired as either inputs or outputs.
3. Ethernet Port wiring is that of a hub or switch.
4. Connect "-" terminal to GROUND for surge protection